

RC-PTCU-1 - Portable Tank Cleaning Unit

Specification Sheet

PRODUCT DESCRIPTION:

The RC-PTCU-1 Portable Tank Cleaning Unit is a portable contaminate removal system for use in both above and below ground storage tanks. It is designed specifically to remove water and other contaminants common to stored diesel fuel.

The Standard System operates on 110 VAC power and is lightweight enough for one person handling and operation. (220 VAC and VDC powered systems are available.)

It is designed to fit through doorways and up stairways. It can be used in almost any location from rooftops to shipboard.

The RC-PTCU-1 utilizes RCI patented fuel purification technology, which contains no filters or moving parts. It is used as primary fuel purification and removes a minimum of 99.8% of all free water, including emulsified water and up to 98% of the normal solid or particulate contaminants found in fuel, including sludge and algae to approximately 10 microns. The filters found on diesel engines provide the secondary and final fuel filtration from 2 to 5 microns.

The PTCU-1 is factory pre-assembled and consists of a RCI FP 1000 Fuel Purifier, a self priming fuel pump; UL approved motor, portable hand-cart, suction and return hoses.



STANDARD FEATURES:

Hand Cart

- Completed Dimensions: 50" H x 22"W x 31"D
- Completed Gross Weight: 145 lbs.
- Shipping Dimensions: 51"H x 24"W x 33"D
- Shipping Weight: 172 lbs.

Fuel Purifier

- Model Number: FP 1000
- Normal Flow: 20 GPM
- Water Drain Port: 1/2"
- Water Removal: 99.8%
- Primary Particulate Removal: 98% to approx. 10 micron

Pump Motor

- Power Requirements: 115/230 VAC - UL Listed
1/3 hp / 60 hz
Explosion Proof Motor
Single Phase
- Operations: Self-Priming
78 psi Max Pressure

Pump

- 1/3 H.P Portable Explosion Proof Pump
- 20 gpm

Hoses

- 3/4" x 20' Foot Suction Hose Explosion Proof
- 3/4" x 12' Foot Pressure Hose
- 3/4" Manual Shut-Off Nozzle

Additional Features

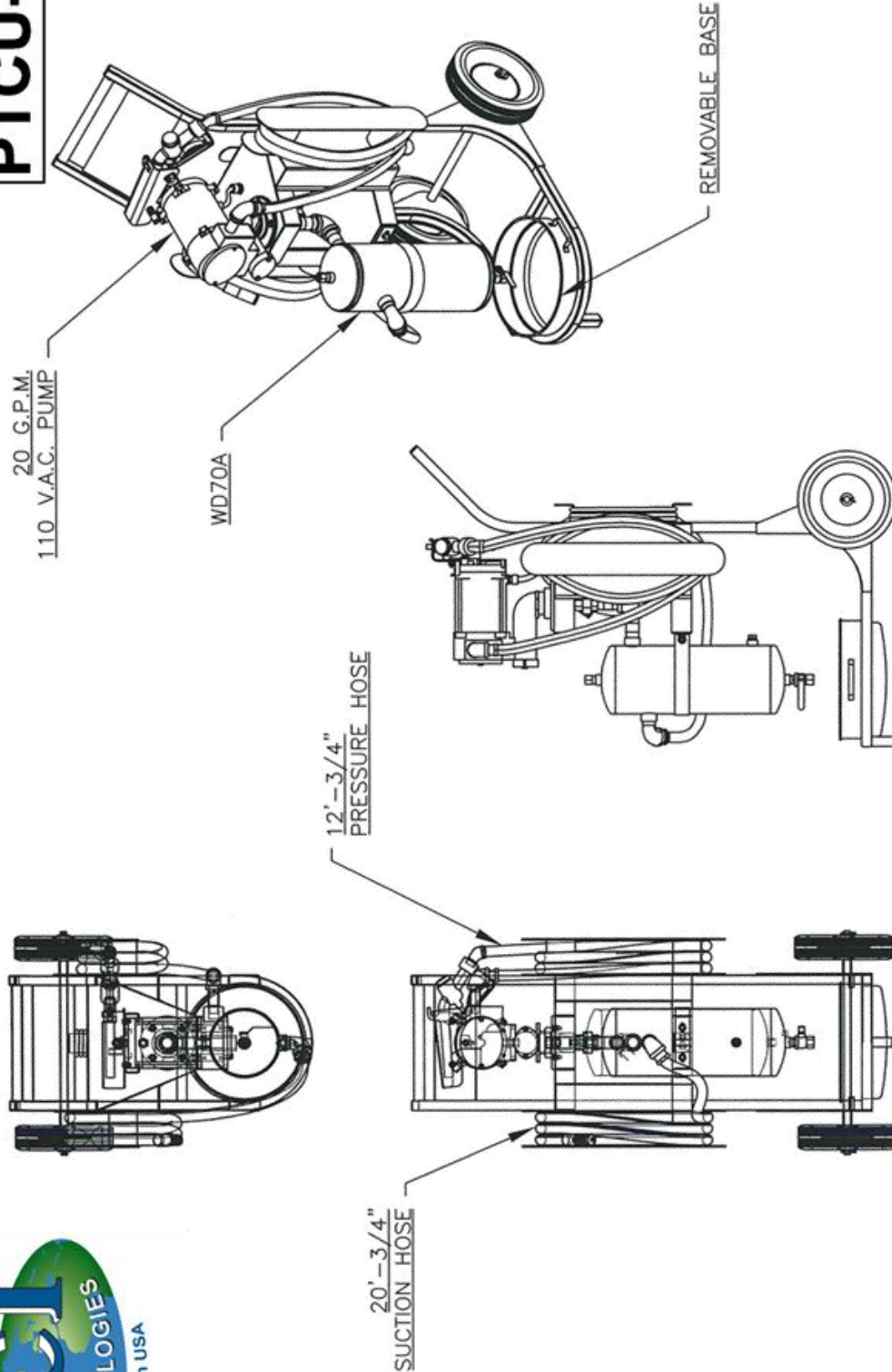
- 90 Degree Swivel Couplings
- Two Year Mfg. Pump Warranty
- 25' Foot Power Cord



462 Borrego Court, Suite D • San Dimas, CA 91773
Phone: (800) 868-2088 • (909) 305-1241 • Fax: (909) 305-1245
Website: www.rcitechnologies.com • E-mail: info@rcitechnologies.com



PTCU-1



NAME		PTCU RCI		DATE		27 OCT 04	
DR.		RLT		CK.		SCALE	
		KJM		KJM		.062"=1'	
MATERIAL		110 VOLT UNIT		REF:			
PART NO.		RCI TECHNOLOGIES		SIZE		A	
SAN DIMAS, CALIFORNIA, U.S.A.		10/27/04		RELEASED		8821	
BY APP.		DATE		WAS		CHG. LET.	
						TRANS. NO.	
						BY APP.	
						DATE	
						WAS	
TRANS. NO.						CHG. LET.	
						PTCU-1	